

BoscoLighting's MWFR High Bay Lights are designed to outlast and outperform all the competition. With inbuilt copper heat pipes to efficiently and effectively remove heat from the LED chips, our luminaries run cooler and so last much longer even in areas with poor airflow or extended operation.

Perfect for lighting up warehouses, loading dock, factories, big box retail, gymnasiums, supermarkets, or any other place with high ceilings and a need for consistent and bright light.

This versatile light can be suspended to the ceiling, mounted on the wall or seated on the floor.

## Features

- An IP65 rating ensure that these lights are waterproof and suitable for indoor or outdoor use
- Maintenance free and quality build to protect against vibrations and ensure long lasting life
- Electrician friendly - Easy to install
- LED Driver Included
- Supplied with Flex & Plug
- Available in beam angles of 25°, 60°, 90°

## Applications

- Sporting locations including gymnasiums, indoor sporting halls and community centres
- Industrial factories, workshops and warehouses
- Supermarkets and exhibition centres
- Tunnels, billboards and swimming pools

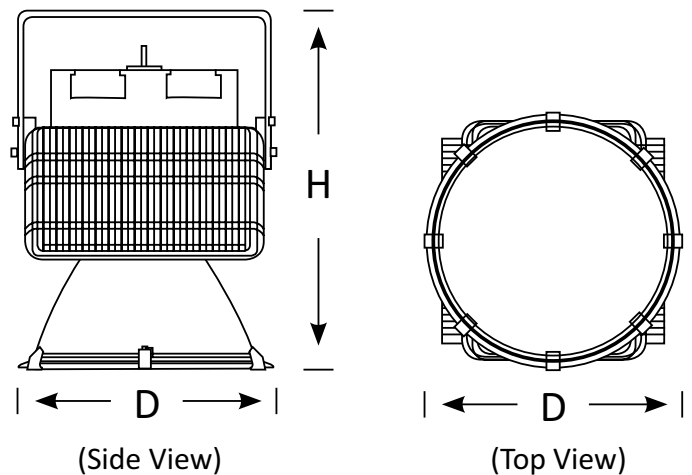
## High Bay MWFR



## Specs

Connect: AU Standard Flex & Plug

Dimming: Various dimming options available on request

**BLBL-MWFR-100**  
100W High Bay Light  
Luminous Flux (lm): 9500  
CCT: Whites(3000K-6500K)  
Dimensions (mm): D374\*H459  
Weight(kg): 6.5



**BLBL-MWFR-120**  
120W High Bay Light  
Luminous Flux (lm): 11400  
CCT: Whites(3000K-6500K)  
Dimensions (mm):D374\*H467  
Weight(kg): 7.4



**BLBL-MWFR-150**  
150W High Bay Light  
Luminous Flux (lm): 14250  
CCT: Whites(3000K-6500K)  
Dimensions (mm): D374\*H459  
Weight(kg): 8.3



**BLBL-MWFR-200**  
200W High Bay Light  
Luminous Flux (lm): 19000  
CCT: Whites(3000K-6500K)  
Dimensions (mm): D374\*H467  
Weight(kg): 7.4



**BLBL-MWFR-250**  
250W High Bay Light  
Luminous Flux (lm): 23750  
CCT: Whites(3000K-6500K)  
Dimensions (mm): D374\*H459  
Weight(kg): 8.3



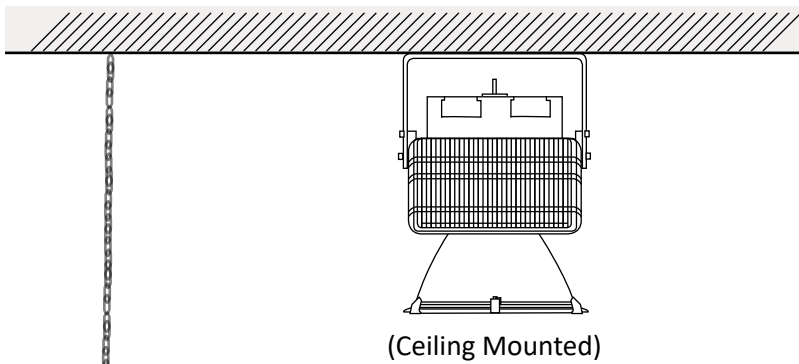
**BLBL-MWFR-300**  
300W High Bay Light  
Luminous Flux (lm): 28500  
CCT: Whites(3000K-6500K)  
Dimensions (mm): D374\*H459  
Weight(kg): 8.3



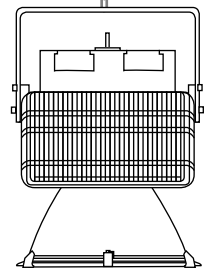
**BLBL-MWFR-400**  
400W High Bay Light  
Luminous Flux (lm): 38000  
CCT: Whites(3000K-6500K)  
Dimensions (mm): D374\*H497  
Weight(kg):11.2



**BLBL-MWFR-500**  
500W High Bay Light  
Luminous Flux (lm): 42680  
CCT: Whites(3000K-6500K)  
Dimensions (mm): D374\*H497  
Weight(kg): 12



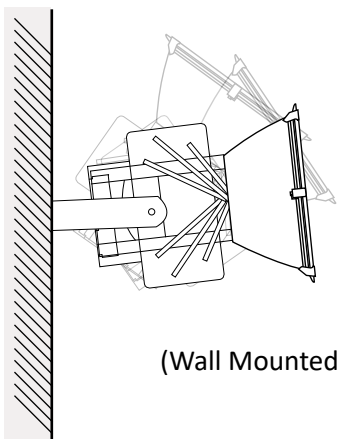
(Ceiling Mounted)



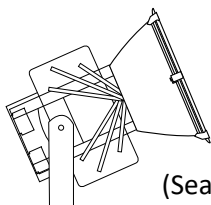
(Suspended)

## Installation Options

This versatile light can be suspended to the ceiling, mounted on the wall or seated on the floor for different types of applications.



(Wall Mounted)



(Seat Mounted)

## Recommended Model Selection

3m- 5m (100W/120W/150W)

**BLBL-MWFR-100**

**BLBL-MWFR-120**

**BLBL-MWFR-150**

5m- 10m (150W/200W)

**BLBL-MWFR-150**

**BLBL-MWFR-200**

10m- 15m (250W/300W)

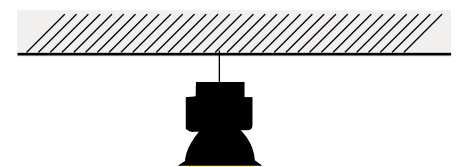
**BLBL-MWFR-250**

**BLBL-MWFR-300**

over 15m (400W/500W)

**BLBL-MWFR-400**

**BLBL-MWFR-500**



\*The recommended lux levels will vary depending on the type of installations and the work carried out inside.