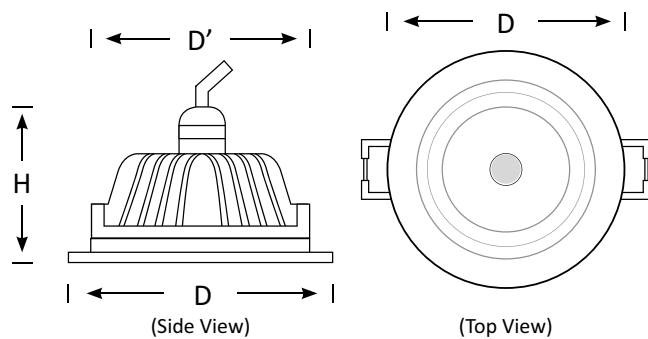


BoscoLighting's Poseidon Waterproof Downlights can be used both indoors and outdoors with protection against the moist environment.

It is suitable for residential apartments and commercial premises, areas such as bathrooms, toilets, and exterior applications.



Downlight Poseidon



| | | |
|--------------------------------|-----------|-------------------|
| 60° | IP 65 | AC 200-240V |
| >80 CRI | 92 CRI | 3 Yrs Warranty |
| 35000 @ L90 B10 Lifetime | | |

| Product Code | BLDL-PSD-08 | BLDL-PSD-10 |
|-------------------|-----------------------------------------------------|-------------|
| Power (W) | 8 | 10 |
| Luminous Flux(lm) | 800 | 1000 |
| CCT | Warm White, Neutral White, Cool White (3000K-6000K) | |
| Connect | AU Standard Flex & Plug | |
| Dimming Options | Various dimming options available on request | |
| Dimensions(mm) | D90*H46 | D108*H51 |
| Cutout(mm) | D'82 | D'98 |
| Weight(kg) | 0.4 | 0.5 |