

BLEX-071-R

BLEX-071-R is made from high quality aluminium designed for LED strips that are 8 - 10mm wide. It can accommodate two strips for maximum illumination.

Supplied as standard in 1m or 2m lengths. The high quality aluminium extrusion can be cut to length as your require.

Contact our lighting specialist for more information!

Features

- Easy to cut to size or extend as needed
 - Good heatsinking for LED longevity
 - Fitting colour can be customised*
- *may be subject to minimum order quantities

Accessories

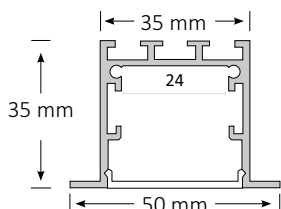


- 2 Metal end caps per standard length
- Diffuser - Frosted/Semi-clear/Clear
- 4 Mounting clips
- Joiners -Optional per request

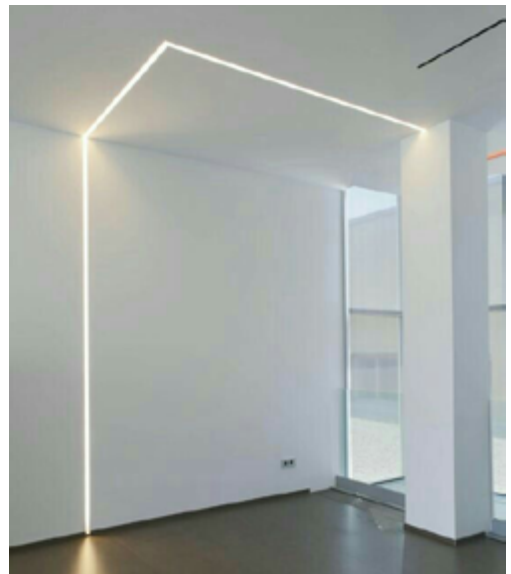
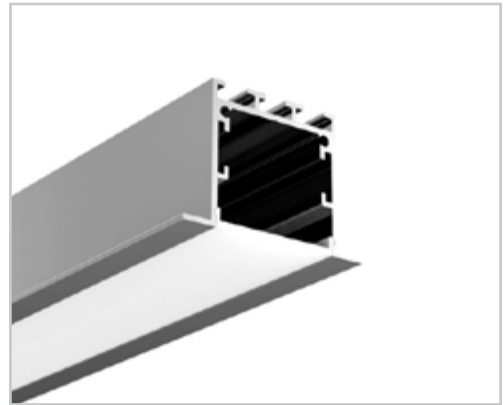
Product Specifications

IP Rating	20
Dimensions (mm)	1000*50*35
Cut Out (mm)	1000*35
Weight (kg)	0.5
Warranty (yrs)	3

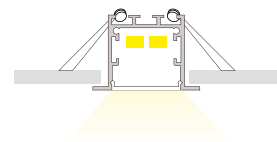
Product Dimensions



Extrusion 071-R



Installation Instruction



Extrusion can be recessed into benches, cabinets, shelves or furniture with the use of mounting clips.

It can be fitted with two BoscoLighting SMD5050 or SMD3528 LED strip for maximum illumination.

*LEDs and driver not included.