

BLEX-077-R

BLEX-077-R is a wide extrusion allows inclusion of multiple LED strips which enables large light output in a recessed installation application.

Supplied as standard in 1m or 2m lengths. The high quality aluminium extrusion can be cut to length as your require.

Contact our lighting specialist for more information!

Features

- Easy to cut to size or extend as needed
 - Good heatsinking for LED longevity
 - Fitting colour can be customised*
- *may be subject to minimum order quantities

Accessories

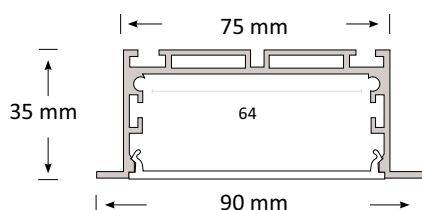


- 2 Metal end caps per standard length
- Diffuser -Frosted
- 4 Mounting clips per standard length

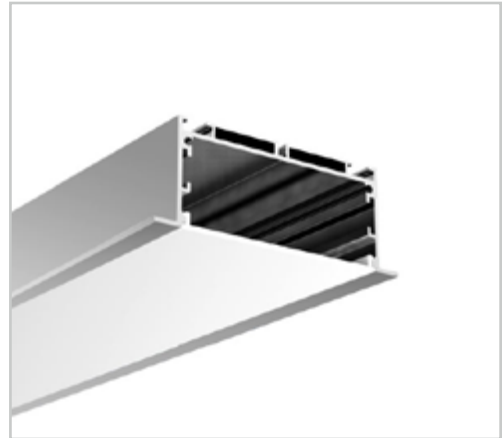
Product Specifications

IP Rating	20
Dimensions (mm)	1000*90*35
Cut Out (mm)	1000*75
Weight (kg)	1
Warranty (yrs)	3

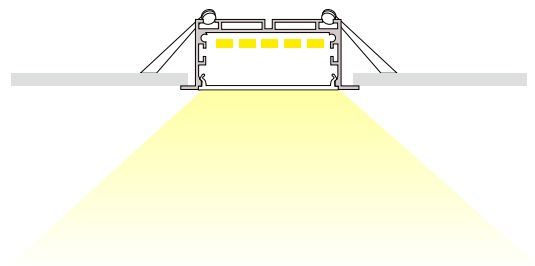
Product Dimensions



Extrusion 077-R



Installation Instruction



Extrusion can be recessed into ceilings or walls with the use of mounting clips.

It can be fitted with several BoscoLighting SMD5050 or SMD3528 LED strips for maximum illumination.

*LEDs and driver not included.