

BLEX-092

BLEX-092 is a wide extrusion designed to accommodate multiple LED strips with massive light output. Perfect for architectural and commercial linear applications. This is definitely a product that adds value to your or your client's latest project. With the U-shape frosted diffuser, it offers dot free illumination.

Supplied as standard in 1m or 2m lengths. The high quality aluminium extrusion can be cut to length as your require.

Contact our lighting specialist for more information!

Features

- Easy to cut to size or extend as needed
 - Good heatsinking for LED longevity
 - Fitting colour can be customised*
- *may be subject to minimum order quantities

Accessories

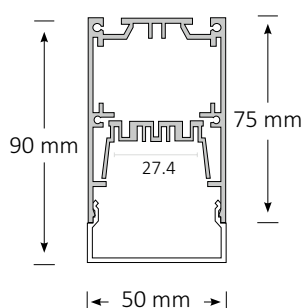


- 2 Metal end caps per standard length
- Diffuser -Frosted
- 2 Mounting brackets per standard length
- Suspension Kit (Pair) -Optional per request

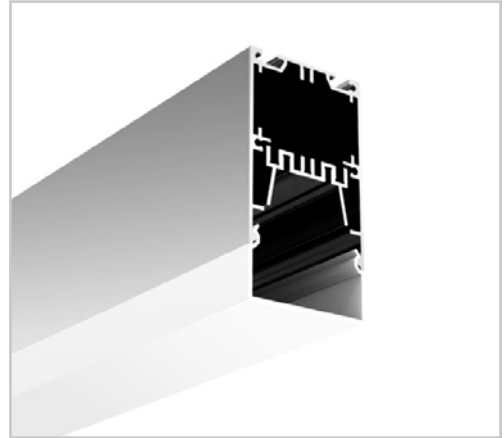
Product Specifications

IP Rating	20
Dimensions (mm)	1000*50*90
Weight (kg)	1
Warranty (yrs)	3

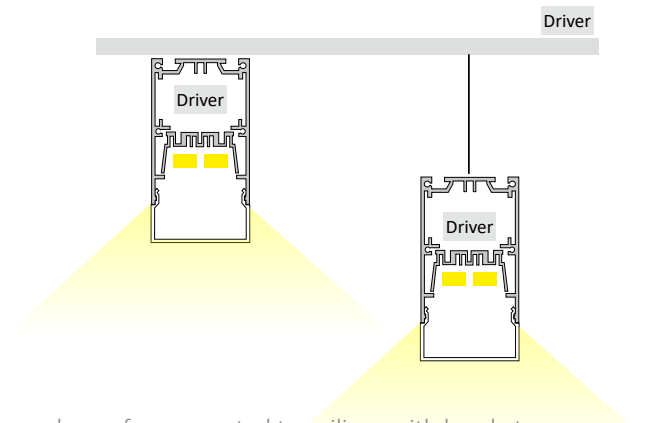
Product Dimensions



Extrusion 092



Installation Instruction



Extrusion can be surface mounted to ceilings with brackets or suspended using suspension kits.

This extrusion can accommodate several BoscoLighting SMD5050 or SMD3528 strips for maximum illumination.

Place drivers inside the upper section of the extrusion, otherwise, place it remotely.

*LEDs and driver not included.