

BLEX-TL002

BLEX-TL002 is a Plaster-in Trimless Extrusion designed with 45 deg angle to fit on an outer edge of the walls, transforming your corner to a dramatic presence when turned on. Warm, ambient glow of light with no aluminium frames showing.

Suitable for any project that requires a seamless and minimalist lighting solution. Supplied as standard in 2m lengths. The high quality aluminium extrusion can be cut to length as your require. (MOQ may apply)

Contact us!

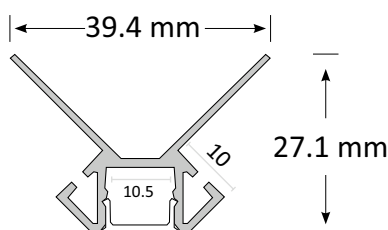
Features

- Easy to cut to size or extend as needed
- Good heatsinking for LED longevity
- Install to walls by using mounting adhesives or screw anchors

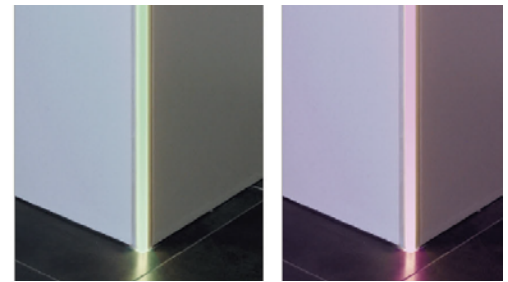
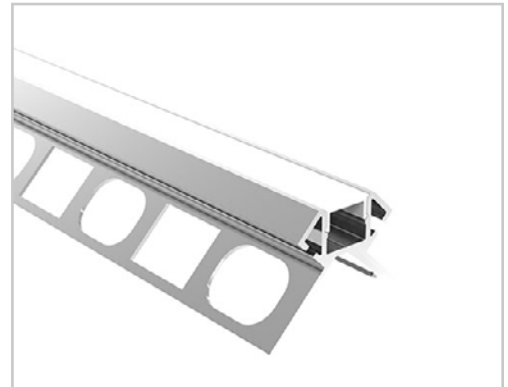
Product Specifications

IP Rating	20
Dimensions (mm)	1000*39.4*27.1
Weight (kg)	0.5
Warranty (yrs)	3

Product Dimensions



Plaster-in Trimless Extrusion TL002



Accessories

- 2 Poly End Caps per standard length
- Diffuser - Frosted
- No Joiner

Installation Instruction

