

BLEX-TL004

BLEX-TL-004 is a Plaster-in Trimless Extrusion designed with 45 deg angle to fit on an outer edge of the walls, transforming your corner to a dramatic presence when turned on. Warm, ambient glow of light with no aluminium frames showing.

Suitable for any project that requires a seamless and minimalist lighting solution. Supplied as standard in 2m lengths. The high quality aluminium extrusion can be cut to length as your require. (MOQ may apply)

Contact our lighting specialist for more information!

Features

- Easy to cut to size or extend as needed
- Good heatsinking for LED longevity
- Install to walls by using mounting adhesives or screw anchors

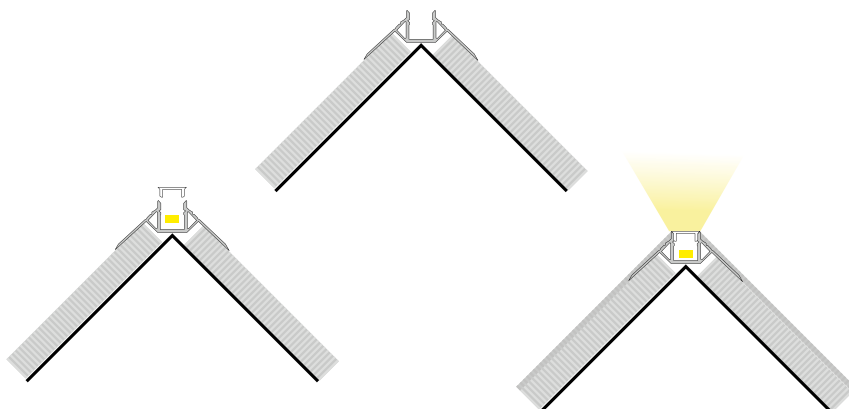
Accessories

- 2 Poly End Caps per standard length
- Diffuser - Frosted

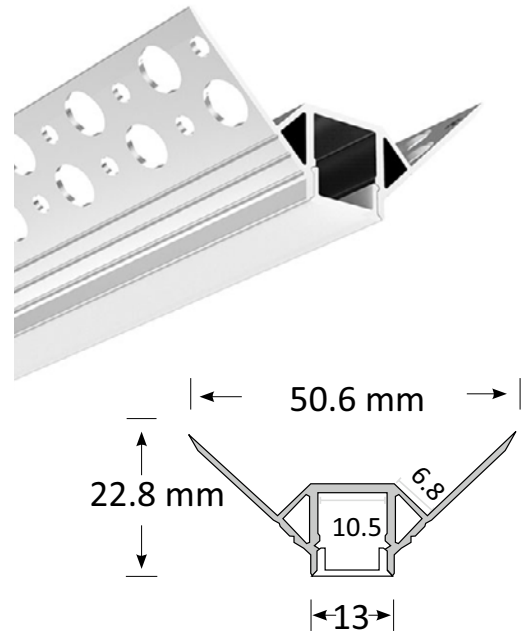
Product Specifications

Dimensions (mm): 1000*50.6*22.8

Installation Instruction



Plaster-in Trimless Extrusion TL004



It can be fitted with one BoscoLighting SMD5050, SMD3528 or SMD 2835 LED strip for interior lighting.

*LEDs and driver not included.