

BLEX-TL009

BLEX-TL009 is a low profile plaster-in trimless extrusion for ceiling or wall recessed confirmation. At 14 mm deep with a light emitting surface of approx 20mm, the profile is designed to deliver a seamless lighting effect.

Supplied as standard in 2m lengths. The extrusion can be recessed easily into walls or ceilings using a thin layer of plaster. We can offer cut-to-length service as well. (MOQ may apply)

It can be fitted with two BoscoLighting SMD2835, SMD5050, SMD3528 or other LED strips for interior lighting.

*LEDs and driver not included.

Features

- Easy to cut to size or extend as needed
- Good heatsinking for LED longevity
- Default fitting colour: anodised silver

Accessories

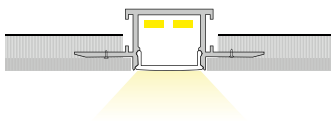
- 2 Poly End Caps per standard length
- Diffuser - Frosted
- Optional Joiner on request

Product Specifications

Dimensions (mm): 1000*61.5*14

Cut-out(mm): 1000*30*10

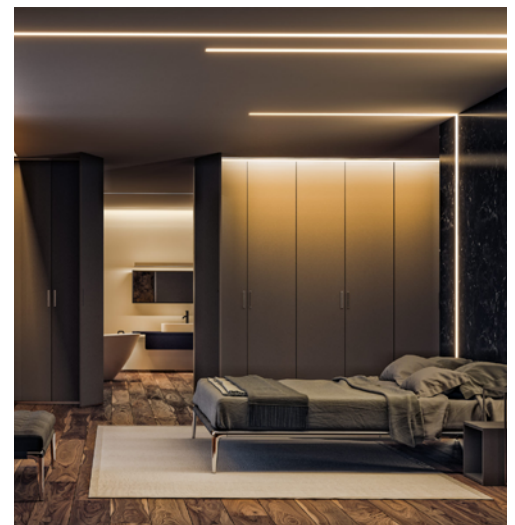
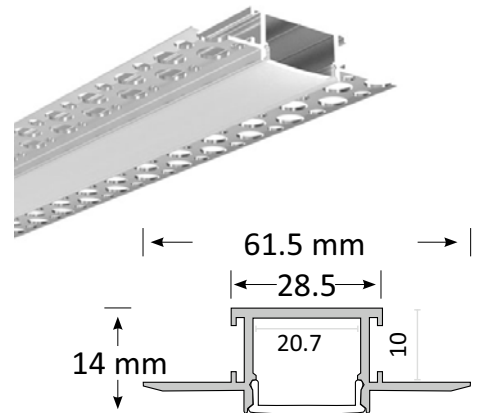
Installation Instruction



Recommended Installation:

- Step 1: Fix the trimless extrusion in minimum 10mm Plasterboard or Gyprock using metal screws to hold it in position or using plasterboard or drywall adhesives. Or make a cut-out into the ceiling or wall as per the required cut-out dimension, then fix the trimless extrusion in position.
- Step 2: Once done, patch over the mounting frame with stucco or plaster and paint and let it dry to finish then install strip and diffuser.

Plaster-in Trimless Extrusion TL009



*Mitre joint Customization Available

