

BLEX-TL011

BLEX-TL011 is medium size Plaster-in Trimless Extrusion for LED strip lights to shine seamlessly into their environment. At 18.5 mm deep with a light emitting surface of approx 35 mm, the profile can help to not only protect the LEDs but to present them in a striking and professional way.

Supplied as standard in 2m lengths. The extrusion can be recessed easily into walls or ceilings using a thin layer of plaster. We offer cut-to-length service as well. (MOQ may apply)

It can be fitted with multiple BoscoLighting SMD2835, SMD5050, SMD3528 or other LED strips for interior lighting.

*LEDs and driver not included.

Features

- Easy to cut to size or extend as needed
- Good heatsinking for LED longevity
- Default fitting colour: anodised silver

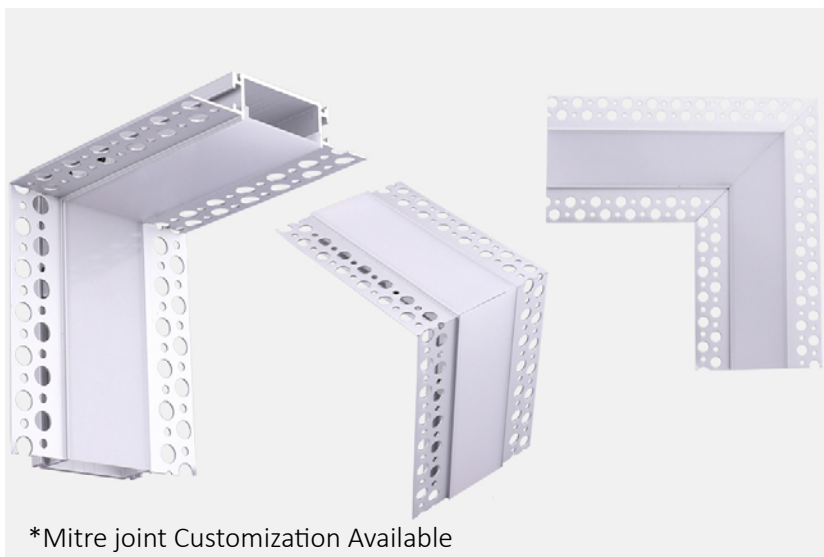
Accessories

- 2 Metal End Caps per standard length
- Diffuser - Frosted
- Optional Joiner on request

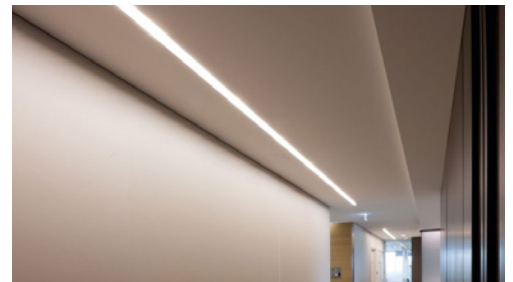
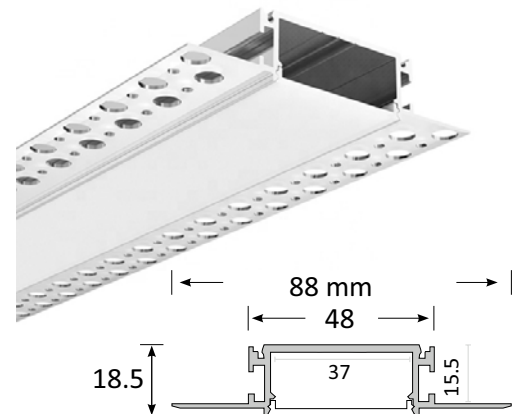
Product Specifications

Dimensions (mm): 1000*88*18.5

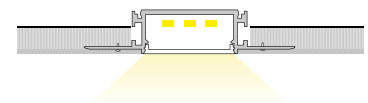
Cut-out(mm): 1000*50*18



Plaster-in Trimless Extrusion TL011



Installation Instruction



Recommended Installation:

- Step 1: Fix the trimless extrusion in minimum 16mm Plasterboard or Gyprock using metal screws to hold it in position or using plasterboard or drywall adhesives. Or make a cut-out into the ceiling or wall as per the required cut-out dimension, then fix the trimless extrusion in position.
- Step 2: Once done, patch over the mounting frame with stucco or plaster and paint and let it dry to finish then install strip and diffuser.