

BLEX-TL014

BLEX-TL014 is considered a trimless version of our 023-R recessed standard extrusion. Recessed easily into walls or ceilings using a thin layer of plaster, this trimless profile can deliver a smooth illuminated effect with no aluminium frames showing.

Supplied as standard in 2m lengths. The high quality aluminium extrusion can be cut to length as your require. (MOQ may apply)

It can be fitted with one BoscoLighting SMD2835, SMD5050, SMD3528 or other LED strip for interior lighting.

*LEDs and driver not included.

Features

- Easy to cut to size or extend as needed
- Good heatsinking for LED longevity
- Default fitting colour: powder coated white

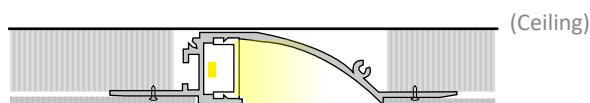
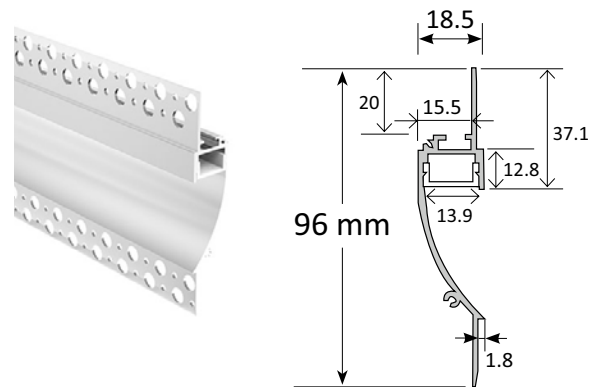
Accessories

- 2 Metal End Caps per standard length
- Diffuser - Frosted
- Optional Joiner on request

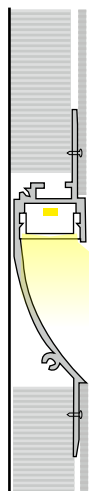
Product Dimensions

Dimensions (mm): 1000*96*18.5
Cut-out(mm): 1000*65*16

Plaster-in Trimless Extrusion TL014



(Wall)



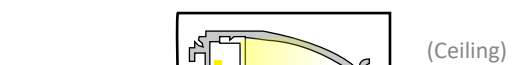
Recommended Installation 1:

- Fix the trimless extrusion in minimum 16mm Plasterboard/ Gyprock using metal screws to hold it in position or using plasterboard or drywall adhesives.
- Once done, patch over the mounting frame with stucco or plaster and paint and let it dry to finish then install strip and diffuser.

(Wall)



Installation Instruction



Recommended Installation 2:

- Make a cut-out into the ceiling or wall as per the required cut-out dimension, then fix the trimless extrusion in position.
- Patch over the mounting frame with stucco or plaster and paint and let it dry to finish then install strip and diffuser.