

BLEX-TL016

BLEX-TL016 with LED strips can act as stunning accent lighting that effectively emphasise the design of faux ceilings. Recessed easily into ceilings using a thin layer of plaster, this trimless profile can deliver a smooth illuminated effect with no aluminium frames showing.

Supplied as standard in 2m lengths. The high quality aluminium extrusion can be cut to length as your require. (MOQ may apply)

Features

- Easy to cut to size or extend as needed
- Good heatsinking for LED longevity
- Recommended installation: Recessed in 13mm Plasterboard or Gyprock.
- Default fitting colour: powder coated white

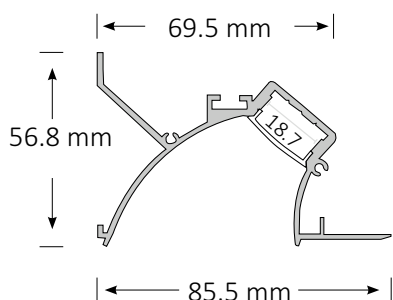
Accessories

- 2 Metal End Caps per standard length
- Diffuser - Frosted
- Optional Joiner on request

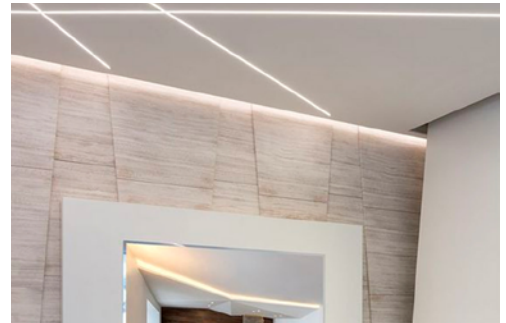
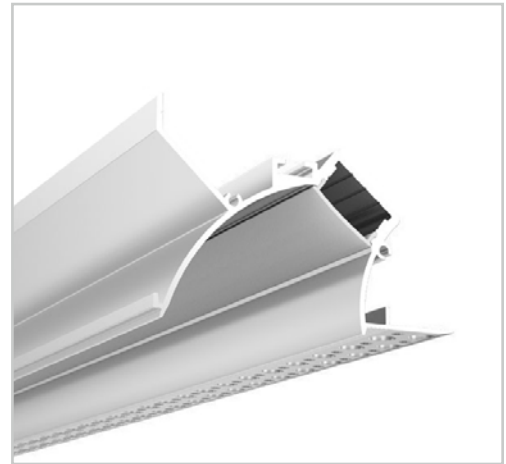
Product Specifications

IP Rating	20
Dimensions (mm)	1000*85.5*56.8
Cut Out (mm)	1000*70
Weight (kg)	0.5
Warranty (yrs)	3

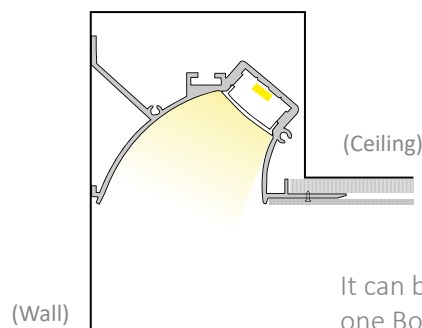
Product Dimensions



Plaster-in Trimless Extrusion TL016



Installation Instruction



It can be fitted with one BoscoLighting SMD5050, SMD3528, or SMD2835 LED strip for interior lighting.

*LEDs and driver not included.