

BLEX-TL018

BLEX-TL018 is a plaster-in trimless extrusion with a light emitting surface of approx 23mm wide. Supplied with a protruded square frosted diffuser, it creates a smooth, flush surface finish.

The high quality aluminium extrusion can be recessed easily into walls or ceilings using a thin layer of plaster. Supplied as standard in 2m lengths. We offer cut-to-length service as well. (MOQ may apply)

Contact our lighting specialist for more information!

Features

- Easy to cut to size or extend as needed
- Good heatsinking for LED longevity
- Recommended Installation: Recessed in minimum 7 mm Plasterboard or Gyprock.

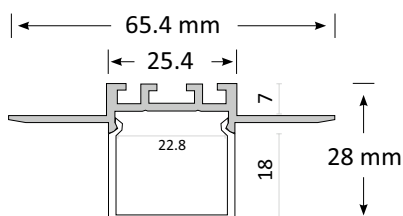
Accessories

- 2 Plastic End Caps per standard length
- Diffuser - Frosted
- Optional Joiner on request

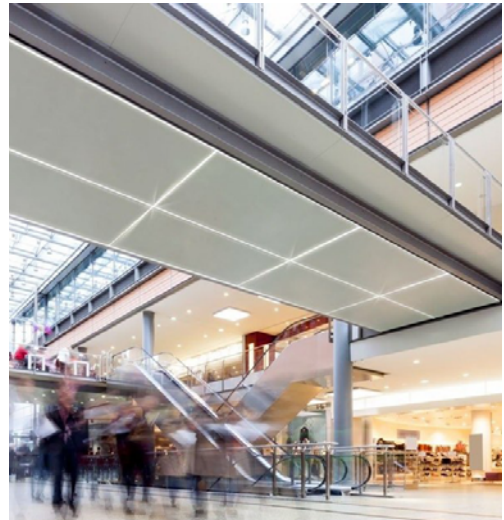
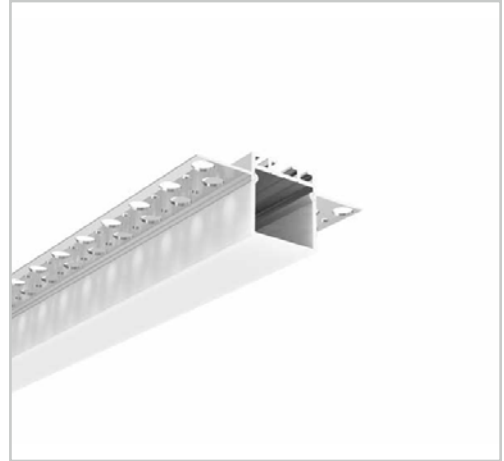
Product Specifications

IP Rating	20
Dimensions (mm)	1000*65.4*28
Cut Out (mm)	1000*26*7
Weight (kg)	0.5
Warranty (yrs)	3

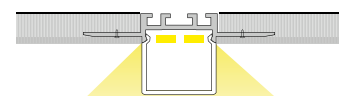
Product Dimensions



Plaster-in Trimless Extrusion TL018



Installation Instruction



It can be fitted with one or two BoscoLighting SMD5050, SMD2835, SMD3528 LED strip for interior lighting.

*LEDs and driver not included.