

BoscoLighting's 'ME224' Track Light is designed for spot, task and general lighting in retail and commercial applications. Available in a range of power levels, this product is great for areas with a changing utility or where flexibility is desirable such as retail stores, shopping centres and art galleries as quick changes can be made without rewiring.

Twist and click, the ME224 is designed to be quickly installed in Australian Standard Tracks of 2, 3 or 4 wires (Single or Multiple Circuits). Compatible with DALI control, and DALI track system required.

Also Available, Single and Multiple Circuit tracks, joiners and suspension kits.

## Track Light ME224

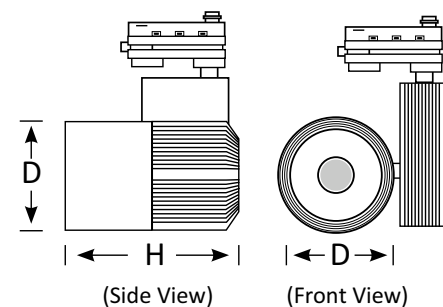


### Features

- Aluminium alloy + poly
- Available in White or Black finishes
- Easy installation
- Adjustable Angle: Horizontal 360° / Vertical 360°
- Available for 2, 3 or 4 wires track systems
- Compatible with DALI control, and DALI track system required

### Applications

- Museums & galleries
- Retail shops
- Bars & restaurants
- Residential and commercial projects



Product Code	BLTL-ME224-20	BLTL-ME224-25	BLTL-ME224-30	BLTL-ME224-40
Power (W)	20	25	30	40
Luminous FLux(lm)	2000	2500	2700	3600
CCT	Warm White, Neutral White, Cool White (3000K-6500K)			
Connect	To the Track			
Dimming Options	None-dim, Trailing edge, DALI			
Dimensions(mm)	D103*180			D110*180
Weight(kg)	0.7			0.8