

BoscoLighting's new 'ME309' Track Light well suits the discerning homeowner or curator. With High CRI output, the ME309 is tuned for use in for museums, galleries, retail shops and high-end homes. With the barn doors, it offers the ultimate in control and flexibility.

It is designed to be quickly installed in Australian Standard Tracks (Single or Multiple Circuits). Also compatible with DALI control, and DALI track system required. Additionally, a range of accessories including single and multiple circuit tracks, joiners, and suspension kits are available to further enhance its functionality and versatility.

Track Light ME309



(Barn Door Light Shaper)

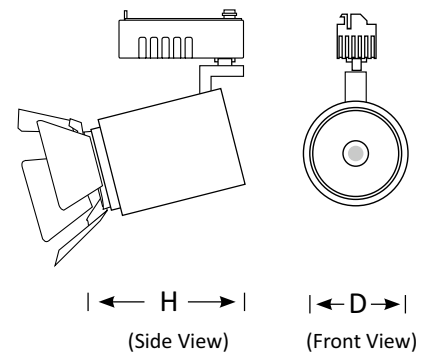
Perfect for illuminating artworks in galleries by adjusting the flaps of the barn doors. You can shape the light coverage to the exact rectangular or square dimensions for dramatic highlighting.

(Customised product - Adjustable lens option)



The new ME309 is also available with a zoomable lens option, allowing the beam angle to be adjusted and focussed as required between 10° – 50° beam angles.

It can be used either as spotlights (narrow beam) or a wall wash light (wide angle beam).



Product Code	BLTL-ME309-12	BLTL-ME309-20	BLTL-ME309-30
Power (W)	12	20	30
Luminous FLux(lm)	1200	2000	2700
Correlated Colour Temperature	Warm White, Neutral White, Cool White (3000K-6500K)		
Connect	To the Track		
Dimming Options	Non-dim, trailing edge, DALI		
Dimensions(mm)	D73*H92	D88*H100	D100*H110
Weight(kg)	0.2	0.3	0.4