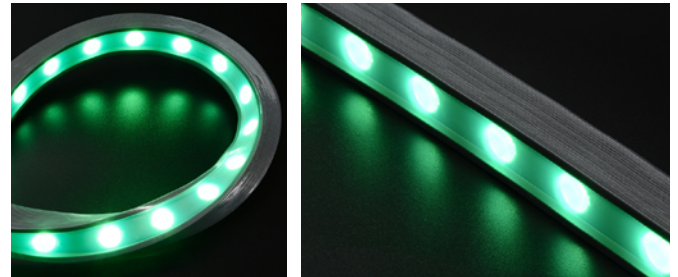
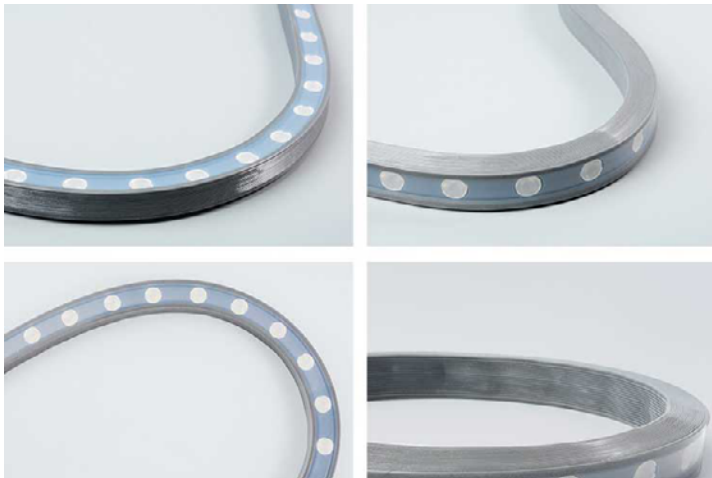


# Linear Wall Washer ArcGlow FlexiScape Light

Experience a new era of outdoor wall washer lighting with the ArcGlow FlexiScape Light.

Choose from a spectrum of lighting possibilities with Single White, Tunable White, RGB, and RGBW options. Plus, with multiple beam angle options, you can achieve the perfect spread of light. Easy to install with four methods, this light transforms any space, creating a dynamic and captivating outdoor ambiance.

Contact us for a quote now!



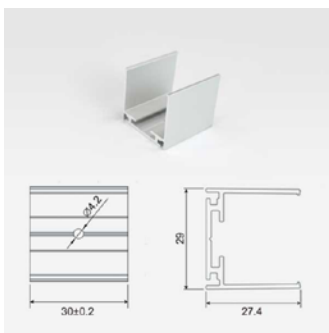
## Features



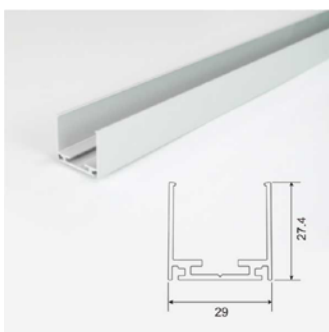
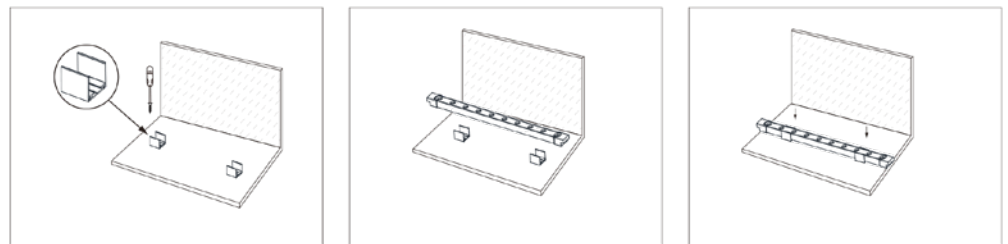
- **Default Lengths:** Choose from 1m, 2m, 3m, 4m, or 5m options.
- **Customizable Length:** Tailor the product to your needs with a 250mm minimum cutting unit and a 400mm minimum bending diameter. Note: Cutting the product is not recommended, as it may damage the waterproofing. Please purchase the desired length to ensure optimal performance.
- **Control Options:** Integrate seamlessly with DMX512 control, DALI, and various dimming systems for optimal customization.
- **Versatile Lighting:** Offers CCT options (Single White, Tunable White, RGB, RGBW) and multiple beam angles.
- **Durable Build:** Made from salt-resistant, corrosion-resistant, flame-retardant, and UV-resistant silicone material.
- **Weatherproof:** Boasts an IP65 waterproof rating for outdoor use.
- **Easy Installation:** Offers four installation methods to accommodate diverse project requirements.

## Installation

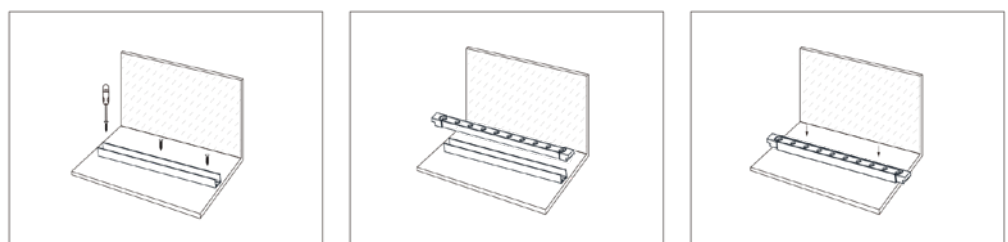
Explore four convenient installation options for the ArcGlow FlexiScape Light:

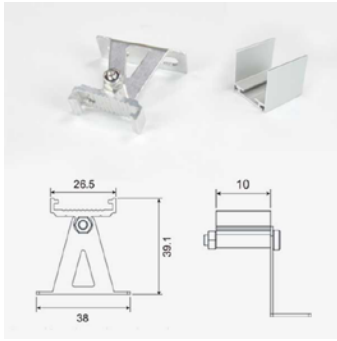


**U-Shape Clip:** Perfect for applications with curved facades or walls where the light needs to emit in a vertical or horizontal direction.

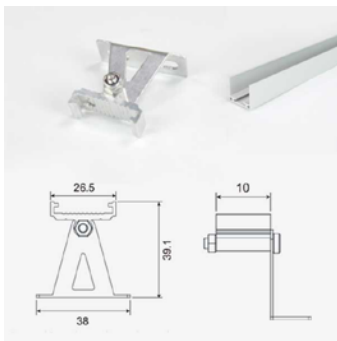
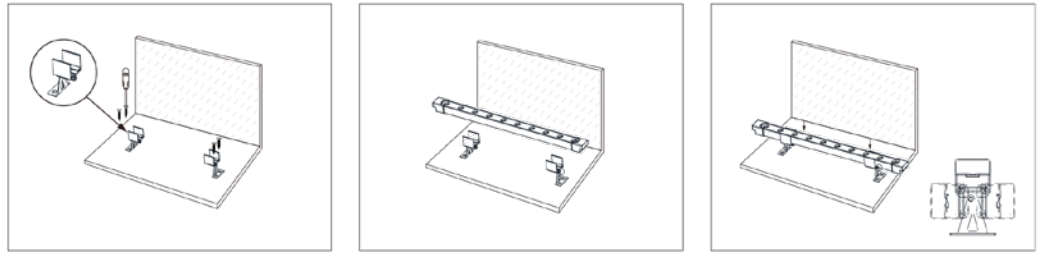


**U-Shape Extrusion:** Ideal for facades with straight lines, suitable for vertical or horizontal light emission.

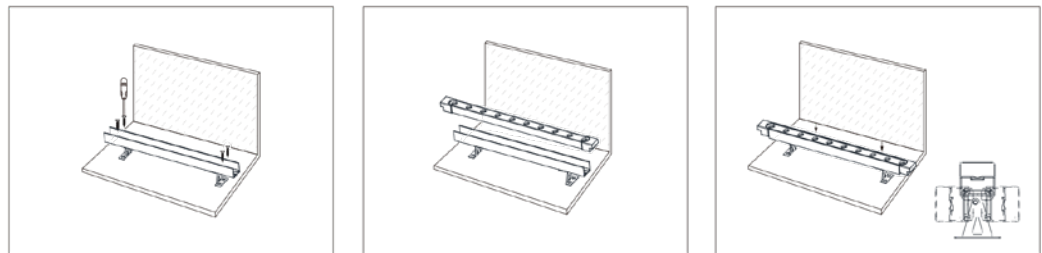




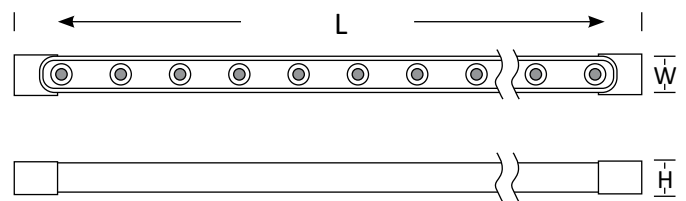
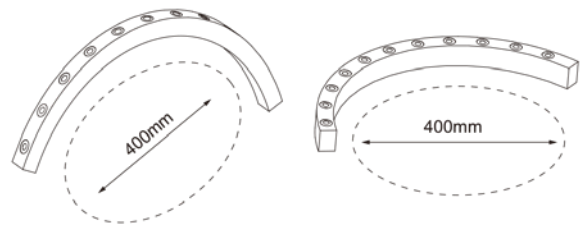
**U-Shape Clip with Adjustable Bracket:** Suitable for curved facades or walls, allowing tilting of the light in various directions.



**U-Shape Extrusion with Adjustable Bracket:** Suited for facades with straight lines, allowing adjustable tilt for diverse light emission angles.



### Minimum Bending Diameter



15°	30°	50°	18°X25°	20°X35°	20°X55°
IP 65	DC 24V	>80 CRI	3 Yrs Warranty	35000 @ L90 B10 Lifetime	

Product Code	BLWW-AFL-24	BLWW-AFL-24TW	BLWW-AFL-18-RGB	BLWW-AFL-18-RGBW
Power (W)	24	12+12	18	18
Luminous FLux(lm)	1850	1600	515	515
CCT	2700K/3000K/ 4000K/6500K	Tunable (2700K-6500K)	RGB	RGBW
Connect	Insulated Cable			
Viewing Angle	15°, 30°, 50°, Oval Beam 20°*35°, Oval Beam 18°*25°, Oval Beam 20° *55°			
Dimming Options	Various dimming options available on request			
Dimensions(mm)	L1000*W29*H24			
Weight(kg)	0.6			